

New hassle-free smart control panel for your home

The akubela HyPanel Lux, a smart home control panel with an Android 10 operating system. The ALL IN ONE design integrates smart intercom, ZigBee gateway, infrared remote control and home automation, and is compatible with plentiful ecosystem. The copper knob wrapping a circular display with a more than 16 million colors RGB light-strip ring, together with 4 AG glass buttons brings a multi-mode interaction, can be easily used by the whole family, offering the excellent smart home experience.

At a Glance

- 2.1-inch touch screen with 4 AG-glass physical buttons.
- Infinite metal knobs with damping and ratchet mode.
- Light ring with more than 16 million colors.
- Kinds of sensors and Infrared remote control built-in.
- Support horizontal and vertical installation adaptive.
- Android 10 system in High-powered Qualcomm chip.
- Smart intercom, ZigBee gateway, home automation ALL IN ONE;



Basic Information

- Model Number: RT61-R2-EU
- Power Supply: 180~260VAC,50HZ
- Operation System: Android 10
- RAM/ROM: 1GB/8GB
- Wi-Fi: IEEE802.11 b/g/n, @2.4GHz/5GHz
- Bluetooth: Bluetooth 4.2
- Ethernet ports: 1xRJ45, 10/100Mbps adaptive
- ZigBee: ZigBee 3.0
- Output: 2-gang,1200W total;
800W/gang for resistive;
400W/gang for LED/CFL

- Microphone: Dual microphone, -42dBV
- Speaker: Single speakers, 8Ω/1.5W
- Infrared remote control: support

Appearance

- Material: V0 fireproof PC+4 AG glass Buttons+
1 Metal knob
- Screen: 2.1" multi-touch screen
- Screen Resolution: 480x480 pixels
- Screen Brightness: 210 cd/m²

Sensors Built In

- Proximity Sensor: 30~60cm
- Light Sensor: Low-level lux detection
- Temperature Sensor: $\pm 1^{\circ}\text{C}$, range: $-10^{\circ}\text{C} \sim 55^{\circ}\text{C}$
- Humidity Sensor: $\pm 5\%$, range: 10%~90%RH, without condensation
- Gravity Sensor: 3-axis

Application Scenario

- Villas
- Apartment complexes
- Home automation systems
- Modern interiors

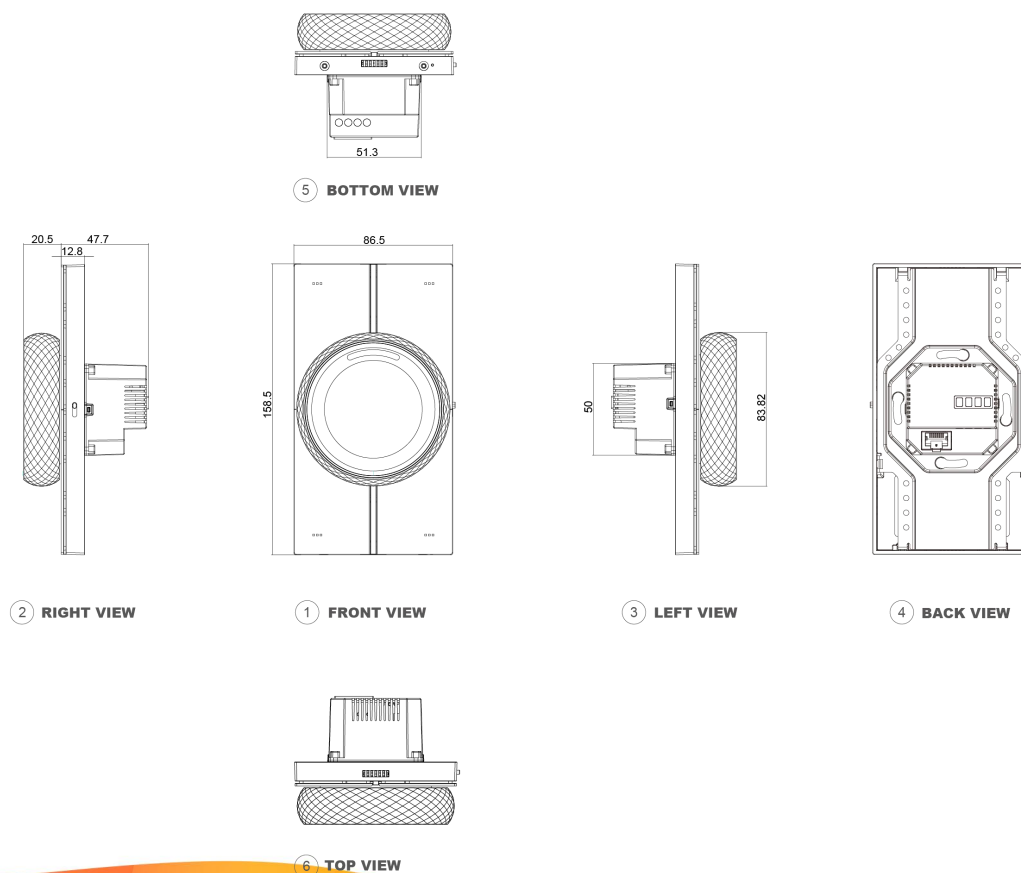
Working Environment

- Environment: For indoor use only
- Working Humidity: 10%~90%RH, without condensation
- Working Temperature: $-10^{\circ}\text{C} \sim +55^{\circ}\text{C}$
- Storage Temperature: $-30^{\circ}\text{C} \sim +70^{\circ}\text{C}$

Installation

- Installation: Wall flush mounting
- Flush Mounted Module: EU/UK standard
- Wiring Way: L- + N- wire required

Installation Diagram



Installation Diagram

A 50mm(2 inches) deep electrical box is highly recommended for ease of installation. In some scenarios, especially when the wires can be pushed back into the wall far enough, it may be possible to use a 40mm (1.6 inches) deep box.

